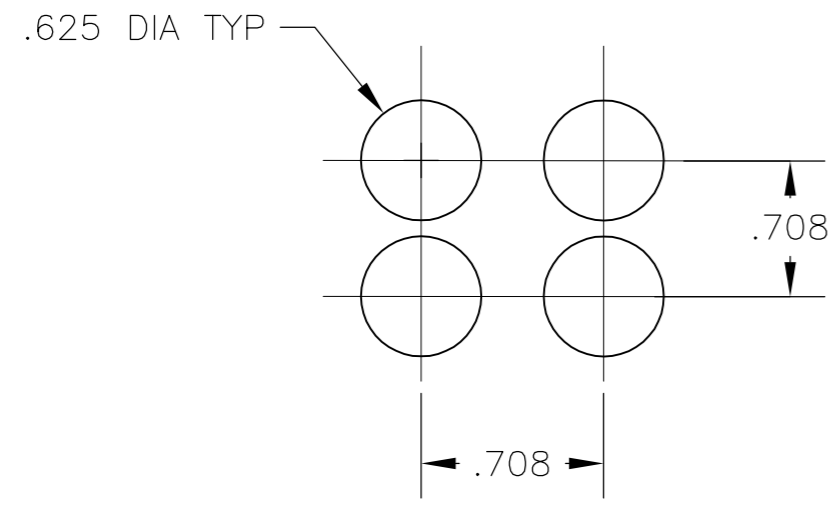
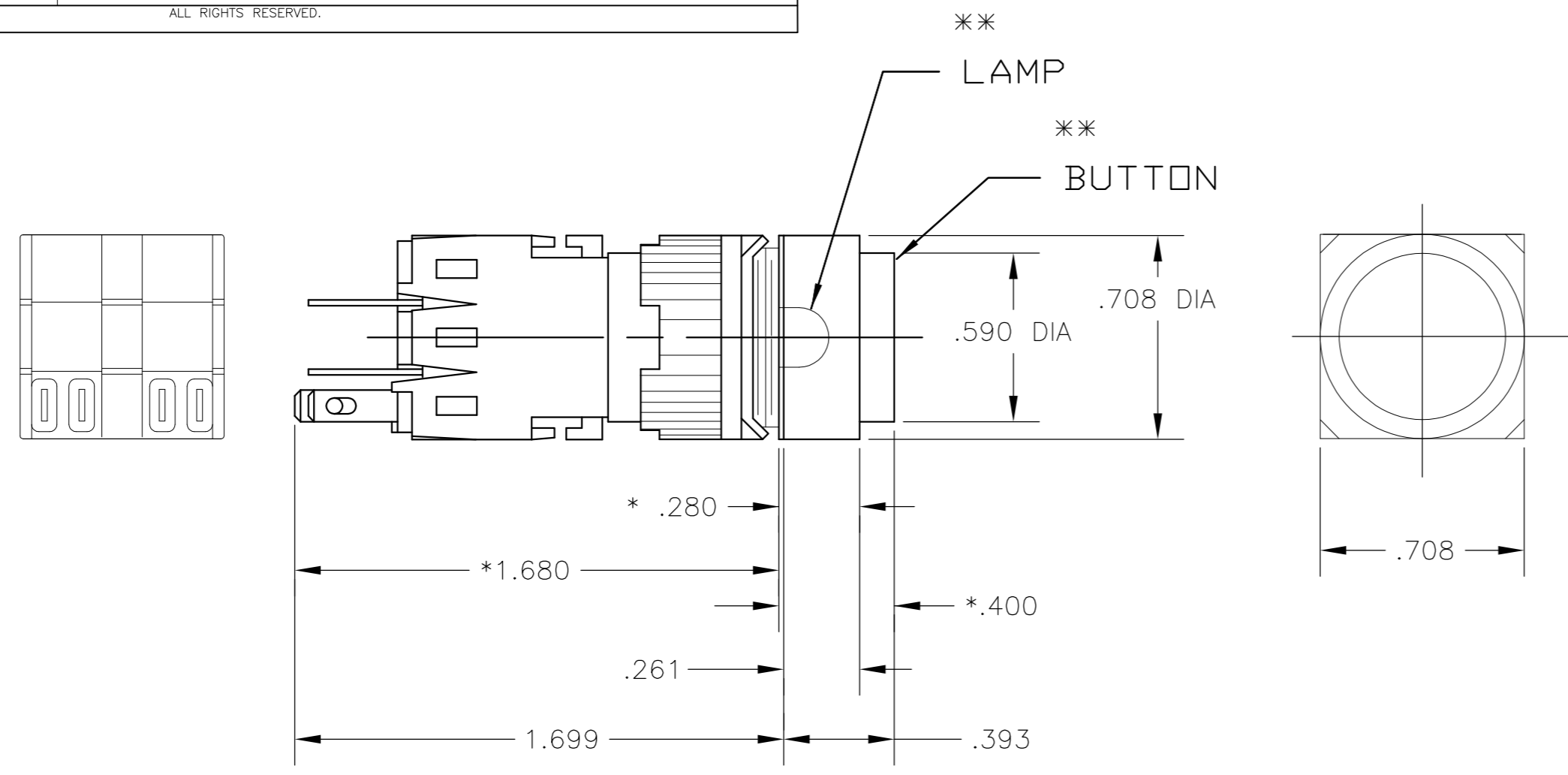


THIS DRAWING IS UNPUBLISHED. RELEASED FOR PUBLICATION
 © COPYRIGHT - By - ALL RIGHTS RESERVED.

LOC	DIST	REVISIONS					
AD	00	P	LTR	DESCRIPTION	DATE	DWN	APVD
		A1		REVISED PER ECO-11-004917	11MAR11	RK	HMR



PANEL CUTOUT
 TOLERANCE +/- .002

* DENOTES DILTIGHT VERSION DIMENSION
 ** ORDER BUTTON AND LAMP SEPARATELY: SEE REF 80810 & 80811

SPECIFICATIONS:

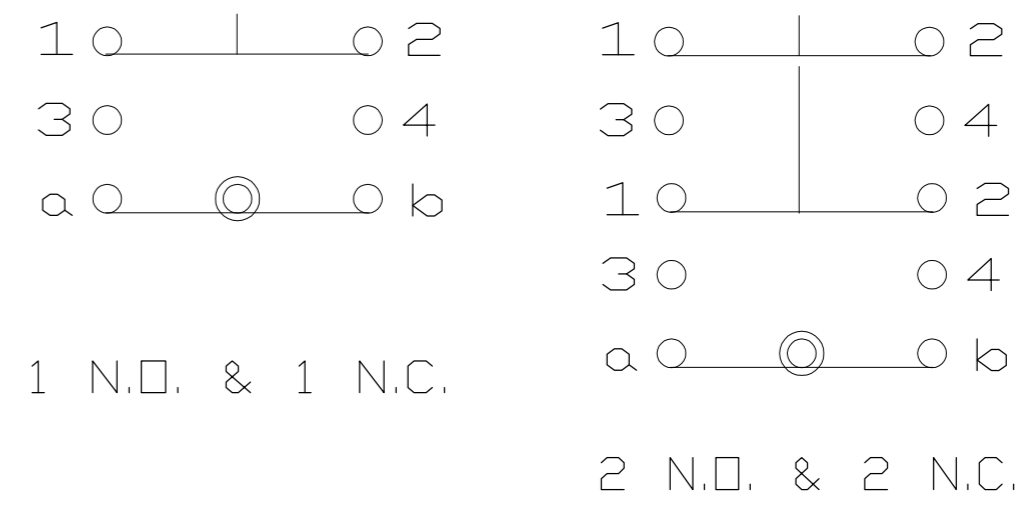
MATERIALS:
 MOVEABLE CONTACT: COPPER ALLOY, GOLD PLATE OVER SILVER CLAD.
 FIXED CONTACT: COPPER ALLOY, GOLD PLATE OVER SILVER CLAD.

ELECTRICAL:
 CONTACT RATING: 0.4VA @ 20VDC OR PEAK AC.
 5 AMPS @ 250VAC OR 24VDC (RESISTANCE).
 INITIAL CONTACT RESISTANCE: 20 MILLIOHMS MAX
 INSULATION RESISTANCE: 100 MEGOHMS MINIMUM
 DIELECTRIC STRENGTH: 1500 VOLTS RMS @ SEA LEVEL
 LIFE EXPECTANCY: 100,000 OPERATIONS AT RATED CURRENT

ENVIRONMENTAL:
 OPERATING TEMPERATURE: -4 F TO 122 F (-20 C TO 50 C)
 STORAGE TEMPERATURE: -4 F TO 122 F (-20 C TO 50 C)

- NOTES:
- INTERPRET DRAWING PER ASME Y14.5M-1994
 - DILTIGHT MODELS MEET NEMA 1, 12, 13 REQUIREMENTS
 - UL RECOGNIZED E-51302
 - PANEL THICKNESS: NON-DILTIGHT = 0.230 MAX
DILTIGHT = 0.210 MAX
- 5 THE PLATINGS CONTAINED IN THIS PART SHALL CONTAIN NO LEAD.
 6 PRELIMINARY PART, NOT RELEASED FOR PRODUCTION.

* DENOTES DILTIGHT VERSION DIMENSIONS
 ** ORDER BUTTON AND LAMP SEPARATELY: SEE REF 80810 & 80811



CONTACT DIAGRAM
 (BUTTON NOT DEPRESSED)

WAS DWG 80809

PART No.	COMMENTS	MODEL NON DILTIGHT	MODEL DILTIGHT	CONTACTS	ACTION
1571543-3	1 2	164EL522		2 N.O. & N.C.	PUSH ON/PUSH OFF
1571543-2	1 2	164EL511		1 N.O. & N.C.	PUSH ON/PUSH OFF
1571543-1	1 2	164EL11		1 N.O. & N.C.	MOMENTARY
			165EL533	3 N.O. & N.C.	PUSH ON/PUSH OFF
4-1437569-5			165EL522	2 N.O. & N.C.	PUSH ON/PUSH OFF
4-1437569-4			165EL511	1 N.O. & N.C.	PUSH ON/PUSH OFF
			165EL33	3 N.O. & N.C.	MOMENTARY
4-1437569-3			165EL22	2 N.O. & N.C.	MOMENTARY
4-1437569-2			165EL11	1 N.O. & N.C.	MOMENTARY
1437569-7		164EL533		3 N.O. & N.C.	PUSH ON/PUSH OFF
1437569-6		164EL522		2 N.O. & N.C.	PUSH ON/PUSH OFF
1437569-5		164EL511		1 N.O. & N.C.	PUSH ON/PUSH OFF
1437569-4		164EL5		-	PUSH ON/PUSH OFF
		164EL33		3 N.O. & N.C.	MOMENTARY
1437569-3		164EL22		2 N.O. & N.C.	MOMENTARY
1437569-2		164EL11		1 N.O. & N.C.	MOMENTARY
1437569-1		164EL		-	MOMENTARY

THIS DRAWING IS A CONTROLLED DOCUMENT.		DWN CMM 11-4-87		
DIMENSIONS: INCHES		CHK JB 12-8-87		
TOLERANCES UNLESS OTHERWISE SPECIFIED:		APVD SMM 12-9-87	NAME ILLUMINATED PUSHBUTTON (164EL SERIES)	
0 PLC ± -		PRODUCT SPEC	SIZE CAGE CODE DRAWING NO RESTRICTED TO	
1 PLC ± -		APPLICATION SPEC	A2 00779 C=1437569-1	
2 PLC ± -			SCALE NTS SHEET 1 OF 1 REV A1	
3 PLC ± .010				
4 PLC ± -				
ANGLES ± -				
MATERIAL FINISH		WEIGHT -		
		CUSTOMER DRAWING		